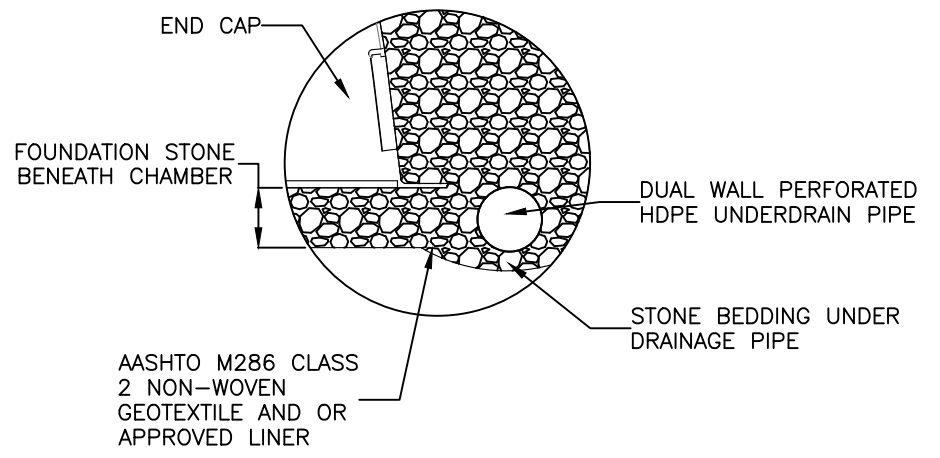


SECTION A-A



SECTION B-B

CONCEPTUAL PLAN DISCLAIMER
 THIS GENERIC DETAIL DOES NOT ENCOMPASS THE SIZING, FIT, AND APPLICABILITY OF THE TRITON CHAMBER SYSTEM FOR THIS SPECIFIC PROJECT. IT IS THE ULTIMATE RESPONSIBILITY OF THE DESIGN ENGINEER TO ASSURE THAT THE STORMWATER SYSTEM DESIGN IS IN FULL COMPLIANCE WITH ALL APPLICABLE LAWS AND REGULATIONS. TRITON PRODUCTS MUST BE DESIGNED AND INSTALLED IN ACCORDANCE WITH TRITON'S MINIMUM REQUIREMENTS. TRITON STORMWATER SOLUTIONS DOES NOT APPROVE PLANS, SIZING, OR SYSTEM DESIGNS. THE DESIGN ENGINEER IS RESPONSIBLE FOR ALL DESIGN DECISIONS.

TRITON
 STORMWATER SOLUTIONS

7600 EAST GRAND RIVER, STE. 195
 BRIGHTON, MI 48114
 PHONE: (810) 222-7652 • FAX: (810) 222-1769
 WWW.TRITONSWS.COM

UNDER DRAIN DETAIL

TRITON - STANDARD DETAILS

REVISED:
 01-04-18 JWM